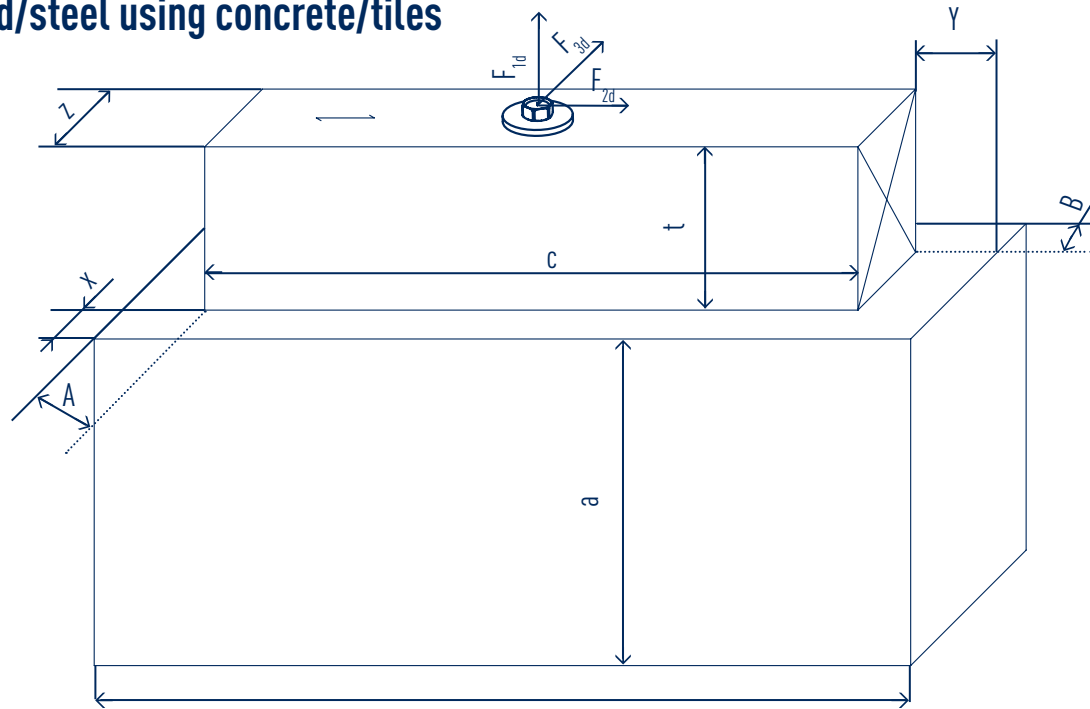


Dimensioning template

For anchoring wood/steel using concrete/tiles



Executing firm*			
Contact person*			
Postcode*		Location*	
Telephone*		Fax	
Email*			
Construction project*			

Our online dimensioning software is available at www.sihga.com at all times!

Dimensions*		unit*		Attachment part*		Base*		Design loads (kN)	
$t =$ <input type="text"/>	mm	$A =$ <input type="text"/>	mm	$X =$ <input type="text"/>	mm	Wood <input type="checkbox"/>	Concrete <input type="checkbox"/>	F_{1d} <input type="text"/>	
$a =$ <input type="text"/>	mm	$B =$ <input type="text"/>	mm	$Y =$ <input type="text"/>	mm	Steel <input type="checkbox"/>	Tile <input type="checkbox"/>	F_{2d} <input type="text"/>	
		$C =$ <input type="text"/>	mm	$Z =$ <input type="text"/>	mm	Concrete: cracked <input type="checkbox"/>		F_{3d} <input type="text"/>	
						Uncracked <input type="checkbox"/>			
						Concrete quality <input type="text"/>			

Preferred fastener

BeziFix Anchor	<input type="checkbox"/>
Betsi	<input type="checkbox"/>
BeziFee	<input type="checkbox"/>
BeziFix SR	<input type="checkbox"/>

k_{mod} (0.6/0.8/0.9)

*Please complete in full.
No dimensioning can be performed otherwise!